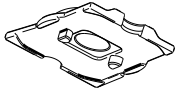


D

C

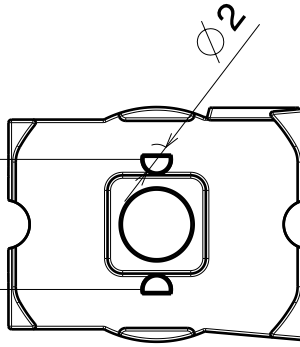
B

A



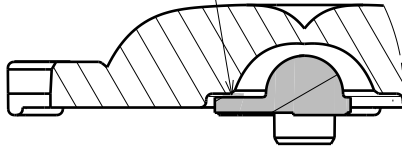
Isometric view
Scale: 1:1

8.6
c/c

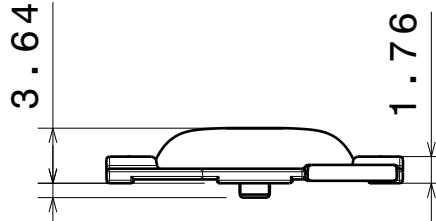


Bottom view
Scale: 2:1

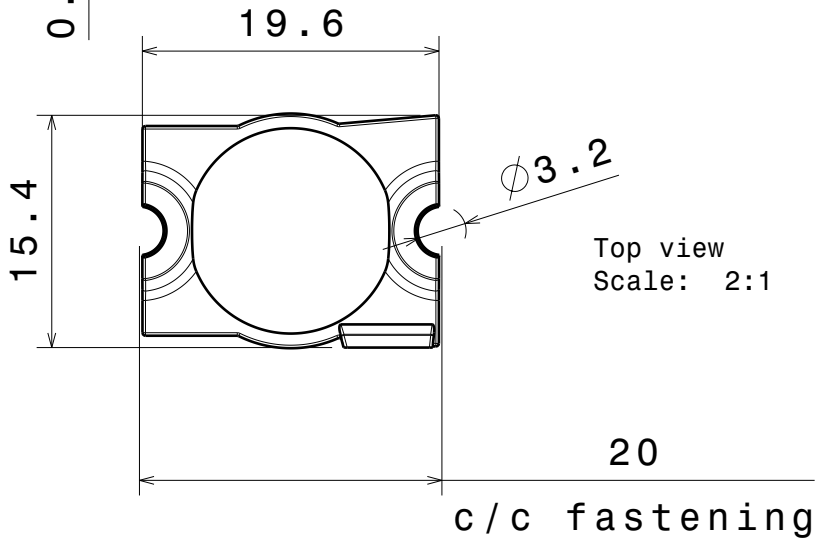
Fail diode
in Rebel-ES



Section view
with Rebel-ES



Front view
Scale: 2:1



Top view
Scale: 2:1

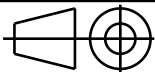
INDEX	PART NO	DESCRIPTION	MATERIAL	COLOUR
1	C11518	LOTTA-A	PMMA	

Tolerances if not otherwise shown
According to DIN ISO 2768-1
Linear measures:
Up to 30mm class M, otherwise class C.
According to DIN ISO 2768-2
Form and position: class L



Ledil Oy
Salorankatu 10
FIN 24240 SALO
Finland

THIRD ANGLE PROJECTION:



DRAWING TITLE

C11518_LOTTA-A

This drawing is the property
of LEDiL Oy. It may not be
reproduced, copied or
communicated without a written
agreement with LEDiL Oy.

SIZE PART NUMBER

A4

C11518

SCALE	1:1	WEIGHT	0,6 g	SHEET	1/1
-------	-----	--------	-------	-------	-----

D

A